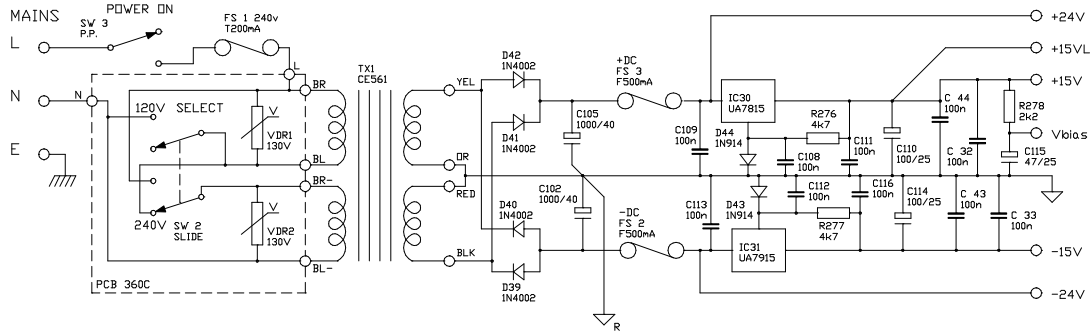
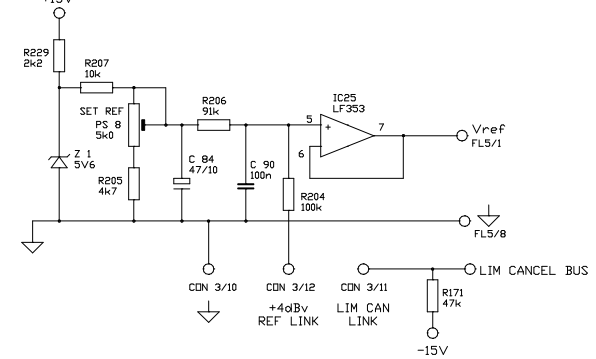


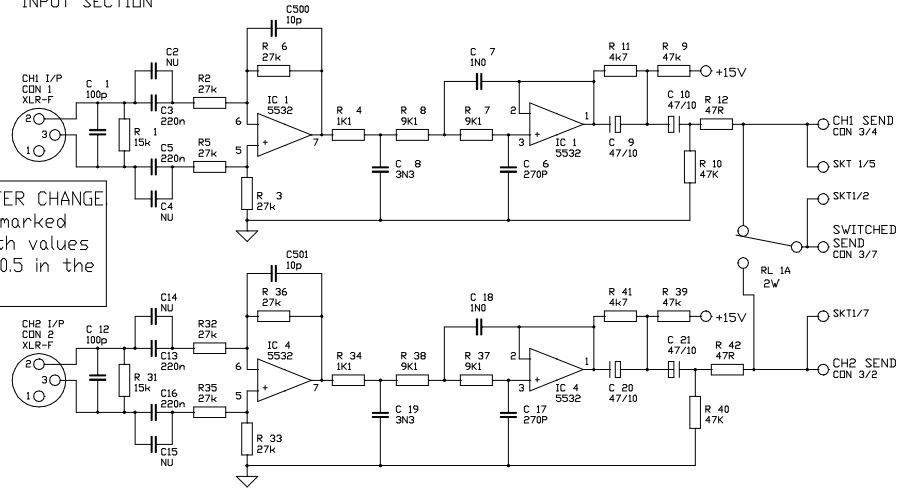
FDS360 P.S.U.



LIMITER REFERENCE GENERATOR

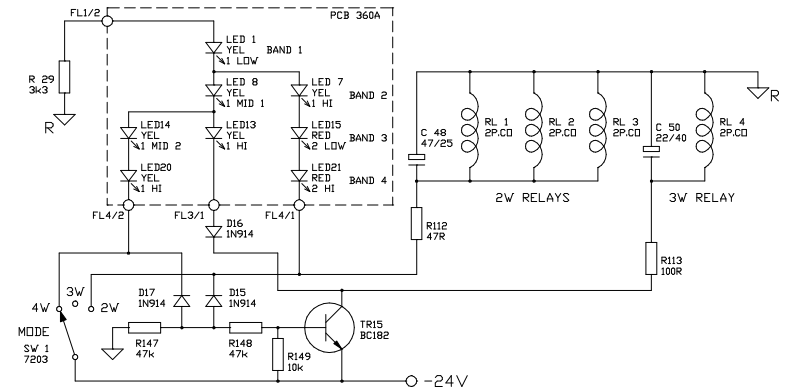


INPUT SECTION

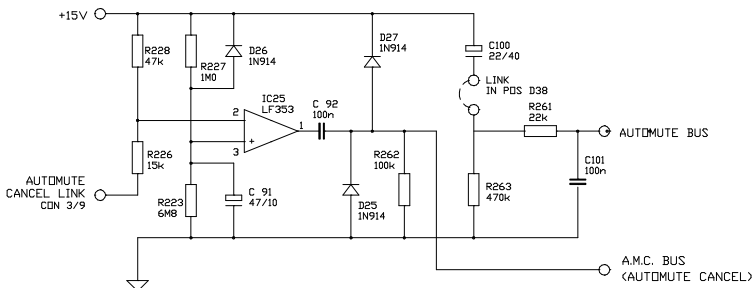


note: 15Hz SUBSONIC FILTER CHANGE ALL Capacitor positions marked "NU" should be fitted with values as specified in section 10.5 in the FDS-360 USER MANUAL...

MODE RELAY & LED DRIVE



AUTOMUTE CONTROL



CONNECTOR PIN SCHEDULE

CON. Pin No.	SKT 1 14w DIL	CDN 3 BSTRIP	FL1 RIBBON	FL2 RIBBON	FL3 RIBBON	FL4 RIBBON	FL5 RIBBON
1	B 4 in	Mono Tie	LED 2	LED 3	LED13	LED21	EARTH
2	Sw. in	Ch2 Send	LED 1	LED 9	+15V	LED20	B 2 AT2
3	B 3 in	Band 1 in	B 1 0	B 2 0	B 3 0	+15V	B 1 AT1
4	B 2 in	Ch 1 Send	B 1 0	B 2 0	B 3 0	LED16	B 3 AT3
5	Ch 1 in	Band 2 in	EARTH	EARTH	EARTH	LED22	B 4 AT4
6	B 1 in	Band 3 in	LED 5	LED12	LED19	LED25	--
7	Ch 2 in	Sw. Send	LED 5	LED11	LED18	LED24	--
8	+15V	Band 4 in	LED 4	LED10	LED17	LED23	Vref
9	B 1 out	A.M.Cancel					
10	-15V	Earth					
11	B 2 out	Lim Cancel					
12	B 3 out	Lim Ref Link					
13	0 V						
14	B 4 out						

THIS DRAWING IS THE COPYRIGHT OF BSS Audio Ltd. ALL REPRODUCTION AND COPYING, OTHER THAN THAT FOR LICENCED MANUFACTURERS OWN INTERNAL USE, OR DISCLOSURE OF PART OR WHOLE TO A THIRD PARTY WITHOUT PRIOR WRITTEN AUTHORISATION IS IN VIOLATION OF THE COPYRIGHT. © BSS Audio Ltd. 1992

File # 360\360S-555
Page 5 of 5
Orig. plot 16/5/86
Last plot 24/5/95
Mods.
FS1 both values shown, FS2+FS3 corrected, R261 value changed, IC1+IC4 changed, NU CAP note added.

PRODUCT FDS360 ISSUE 5
PAGE PSU, I.P.STAGE & CONTROL CIRCUITS